

JPC SERIES LEAD CARBON BATTERY

JPC12-250

APPLICATIONS

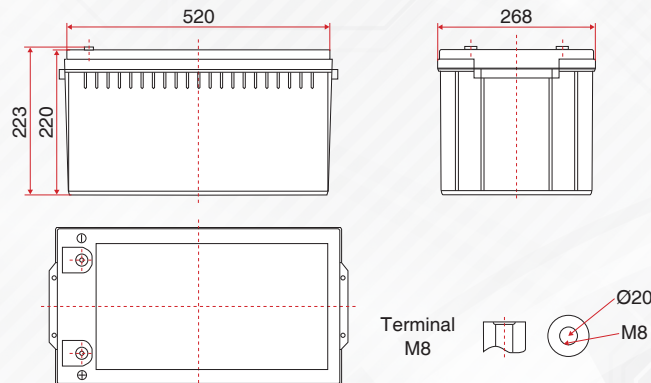
- Solar / wind energy and other new energy storage
- Hybrid vehicles, electric bicycles and other new energy vehicles
- Other backup or cycle purposes

GENERAL FEATURES

- Lead-carbon composite negative plate, both capacitance and battery characteristics
- Long cycle life, excellent deep cycle discharge ability
- Excellent charge acceptance ability
- Optimized capability of instant high-current discharging
- Strong high and low temperature performance
- Precision sealing technology

DIMENSION AND WEIGHT

	JPC12-250
Length	520mm
Width	268mm
Height	220mm
Total Height	223mm
Weight	Approx. 71.0kg



PRODUCT SPECIFICATIONS

ITEM	JPC12-250
Nominal voltage	12V
Nominal capacity	250Ah
Design life	15 years
Terminal	M8
Approx. weight	Approx 71.0kg (156lbs)
Container material	ABS
Rated capacity	250Ah → 10 Hour rate (25.0A to 10.8V) 203Ah → 3 Hour rate (67.8A to 10.8V) 170Ah → 1 Hour rate (170A to 10.5V)
Internal resistance	Full charged at 25°C: 2.7 mΩ
Max discharge current	3000A (5s)
Operating temperature	Discharge: -40 ~ 60°C (-40 ~ 140°F) Charge: -20 ~ 50°C (-4 ~ 122°F) Storage: -20 ~ 50°C (-4 ~ 122°F)
Charge method (25°C)	Charge current: Max. 75A; recom. 25.0 ~ 50.0A Float charge: 13.5 - 13.8V, recom. 13.5V (-18mV/°C) Equalize charge: 13.8 - 14.1V, recom. 14.1V (-24mV/°C) Cycle charge: 14.4 - 15.0V, recom. 14.4V (-30mV/°C)
Self discharge	3% of capacity declined per month at 25°C



Constant current discharge characteristics unit: A (25°C, 77°F)

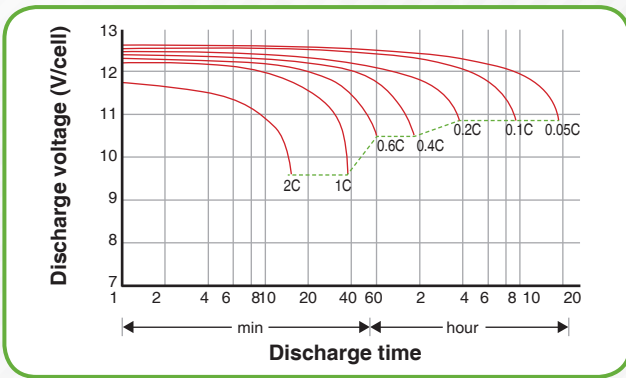
VOLTAGE	JPC12-250									
F.V TIME	5min	15min	30min	1h	2h	3h	5h	8h	10h	20h
1.60V	899	483	294	170	97.5	70.8	47.5	31.2	26.3	13.8
1.65V	871	468	289	169	97.0	70.0	47.0	30.9	26.0	13.7
1.70V	836	458	284	168	96.3	69.0	46.5	30.7	25.8	13.6
1.75V	769	443	281	165	94.8	68.3	46.0	30.4	25.5	13.6
1.80V	689	413	269	161	93.0	67.8	44.8	30.2	25.0	13.5
1.85V	615	368	245	149	88.3	63.8	42.6	28.9	24.5	13.3

Constant power discharge characteristics unit: W/cell (25°C, 77°F)

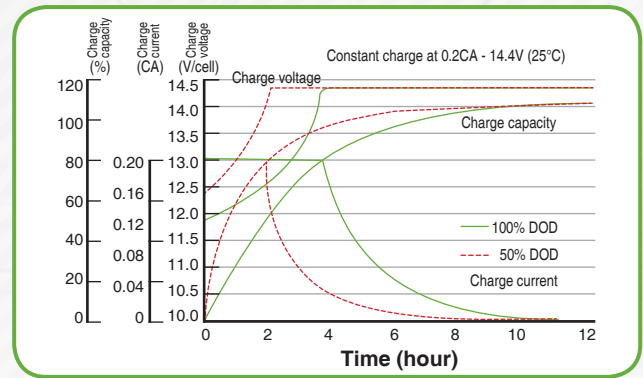
VOLTAGE	JPC12-250									
F.V TIME	5min	15min	30min	1h	2h	3h	5h	8h	10h	20h
1.60V	1506	850	531	321	184	135	90.1	60.6	50.5	27.3
1.65V	1449	835	526	319	184	133	89.6	60.1	50.0	27.1
1.70V	1441	825	526	316	183	132	88.8	59.9	49.5	27.0
1.75V	1344	820	524	314	182	131	88.3	59.4	49.0	26.9
1.80V	1235	776	511	312	182	131	87.3	58.9	48.5	26.8
1.85V	1102	693	469	289	173	124	83.4	56.9	47.7	26.5

Disclaimer: Manufacturers have the right to self-modify the parameters of the product updates, please keep in touch with manufacturers to obtain the latest information

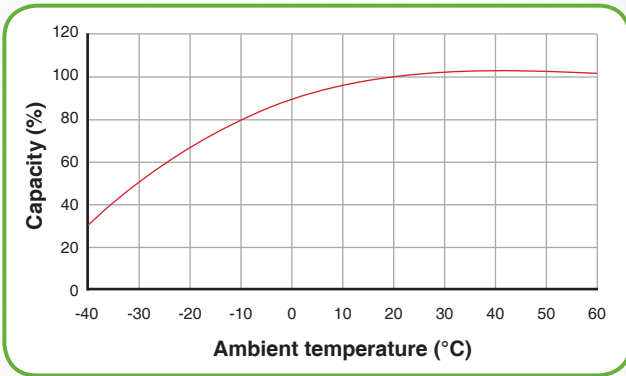
Discharge characteristics



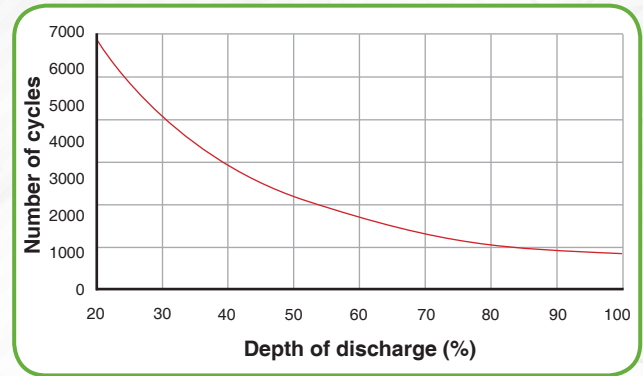
Charging characteristics



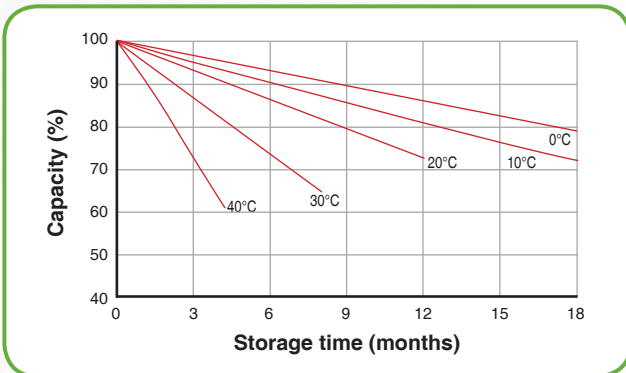
The effect of temperature on capacity



The effect of discharge depth on cycle life



Curves of self-discharge



Curves of open circuit voltage vs. capacity

